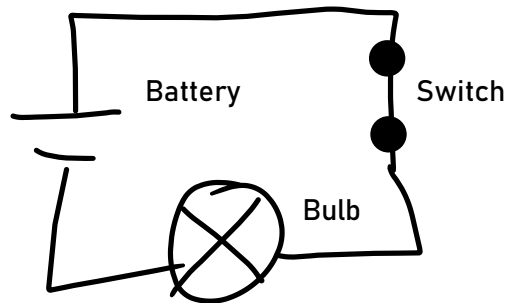
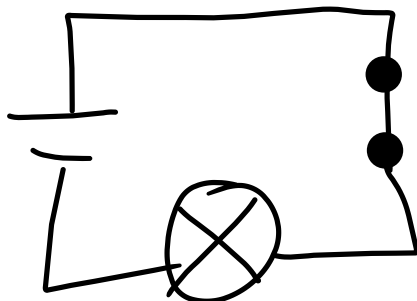


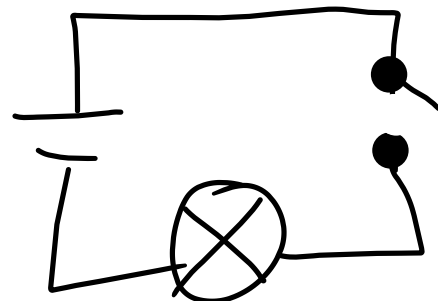
1. An electric circuit is a closed path in which electrons move to produce electric currents
- 2.



3. Tungsten
4. An electric torch is a small handheld device which uses a circuit which is similar to the one shown above. It is used to create a beam of light in the dark.
- 5.

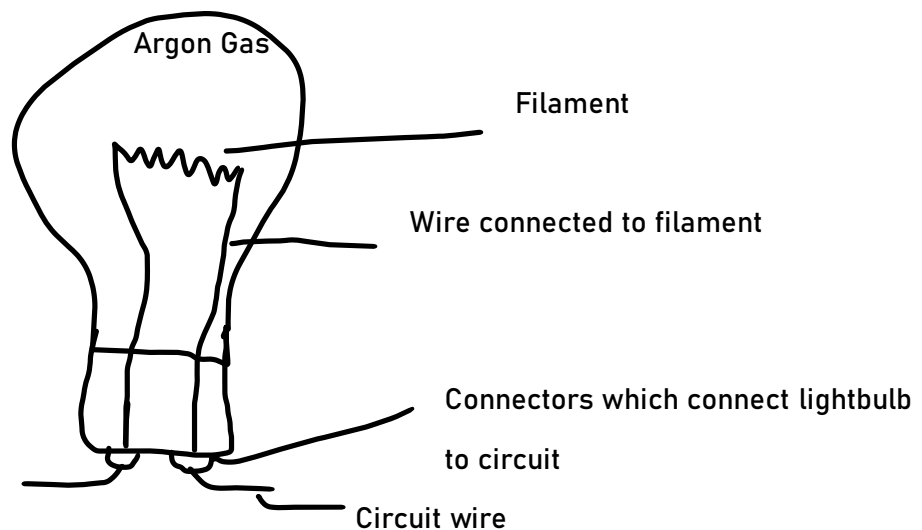


This is a closed circuit

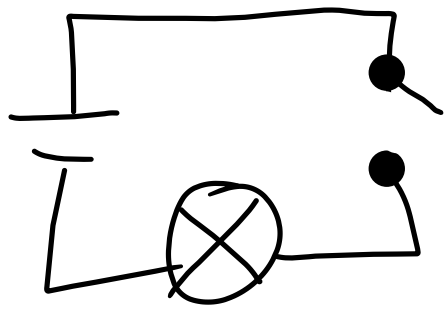


This is an open circuit

6. A closed electric circuit is when the switch is on, which closes the circuit. In a closed circuit, electrons move to produce electric current
7. ?
8. Because the filament has high resistance, which builds up heat making it glow. On the other hand, the connecting wires have low resistance so it does not glow.
9. (i) fuse (ii) Light Bulb
10. A switch is used to break (open) the circuit to stop the electric current. A switch is also used to complete (close) the circuit to allow the electric current.
- 11.



12.



The switch is open which breaks the circuit, then the electron can not flow and create an electric current

13.

